

12MP AI ISP IP Camera

BMSFNP12AC



- Built-in Mic
- External SD card slot (Max 512GB), Built in 4G Storage
- Face Detection & Face Comparison
- Illegal Parking (Base on Vehicle Shape & Licence Plate)
- Sound Detection & Heat Map
- Line-Crossing Counting
- Licence Plate Detection
- Items Left Behind, Items Moved, and Scene Changes

Camera	
Image Sensor	1/2.3" SONY Starvis Back-illuminated CMOS sensor
Resolution	12MP
Effective Pixels	4072(H)*3064(V)
Compression	H.264/H.264+/H.265/H.265+/MJPEG
Audio Compression	G711A/U,AAC,MP2L2
TV System	PAL/NTSC
Electronic Shutter Time	Auto: 1/3-1/100000Sec
Minimum Illumination	Color: 0.005 Lux@(F1.0, AGC ON), 0 Lux with white light, B/W: 0 Lux with IR
S/N Ratio	60dB
Scanning System	Progressive
Video Output	Network
Reset Button	Optional

Lens	
Focal Length & FOV	4 mm, horizontal FOV 87°, vertical FOV 65°, diagonal FOV 112° 6 mm, horizontal FOV 73°, vertical FOV 54°, diagonal FOV 95°
Lens Type	Fixed focal lens, 4 and 6 mm optional
Focus Control	Fixed
Aperture	F1.0
Pixels	12MP

Night Vision	
Supplement Light	IR: 2PCS, Warm light: 2PCS
Supplement Light Distance	IR: 40m, Warm light: 30m
Supplement Light Status	Auto Control
Supplement Light Power On	Smart, Manual & Timed mode

Network	
Ethernet	RJ-45 (10/100Base-T)
Wireless	N/A
Protocol	TCP/IP, IPv4/v6, ICMP, HTTP, HTTPS, FTP, DHCP, DNS, DDNS, RTP, RTSP, RTMP, RTCP, PPPoE, NTP, SMTP, UDP, SNMP, Qos, 802.1x
ONVIF	Support ONVIF 24.12(Profile S/T/G/M)
P2P	YES
POE	Internal, Support IEEE 802.3af
Video Delay	300ms (Within the Lan)
Main Stream 1	4000*3000@30fps, 3840*2160@30fps
Main Stream 2	3200*1800@30fps, 2560*1440@30fps
Main Stream 3	1920*1080@30fps, 1280*720@30fps
Sub Stream 1	1920*1080@30fps
Sub Stream 2	1280*720@30fps
Sub Stream 3	720*480@30fps

Tri Stream	1280*720@30fps, 720*480@30fps
IE Brower	Microsoft Edge, IE11, Google Chrome, Firefox, Mac Safari
Smart Phone	iPhone, Android

AI Function

Intelligent Analysis	Intrusion Detection/Line Crossing Detection/Enter Area Detection/Leave Area Detection/Line Crossing Count(based on human and vehicle detection), Loitering Detection/People Gathering Detection(based on human detection), Motion Detection(supports the detection based on human and vehicle movement), Face Detection, Illegal Parking(based on vehicle shape and license plates), License Plate Detection, Abandoned Object Detection, Removed Object Detection, Heat Map
----------------------	--

Camera Features

Day/Night	Color/ B&W (IR-CUT)
Image Config	Saturation/Brightness/Contrast/Sharpness, Mirror, 3D NR, White Balance, Anti Flicker, Video Tampering, HLC, Distortion, Scene Change Detection
Full Color	Support
Corridor Pattern	Support
Defog Mode	Support
ROI	Support
BLC	Support
WDR	120dB
Motion Detection	Support(support enable the detection based on human and Vehicle movement)
Privacy Masking	3 Rectangular Zone
Recording Mode	NVR/CMS/Web
Language	Chinese Simplified, Chinese Traditional, English, Korean, Polish, French, Japanese, Spanish, Portuguese, Italian, Hebrew, Ukrainian, Arabic, Vietnamese, Thai, Hungarian, Czech

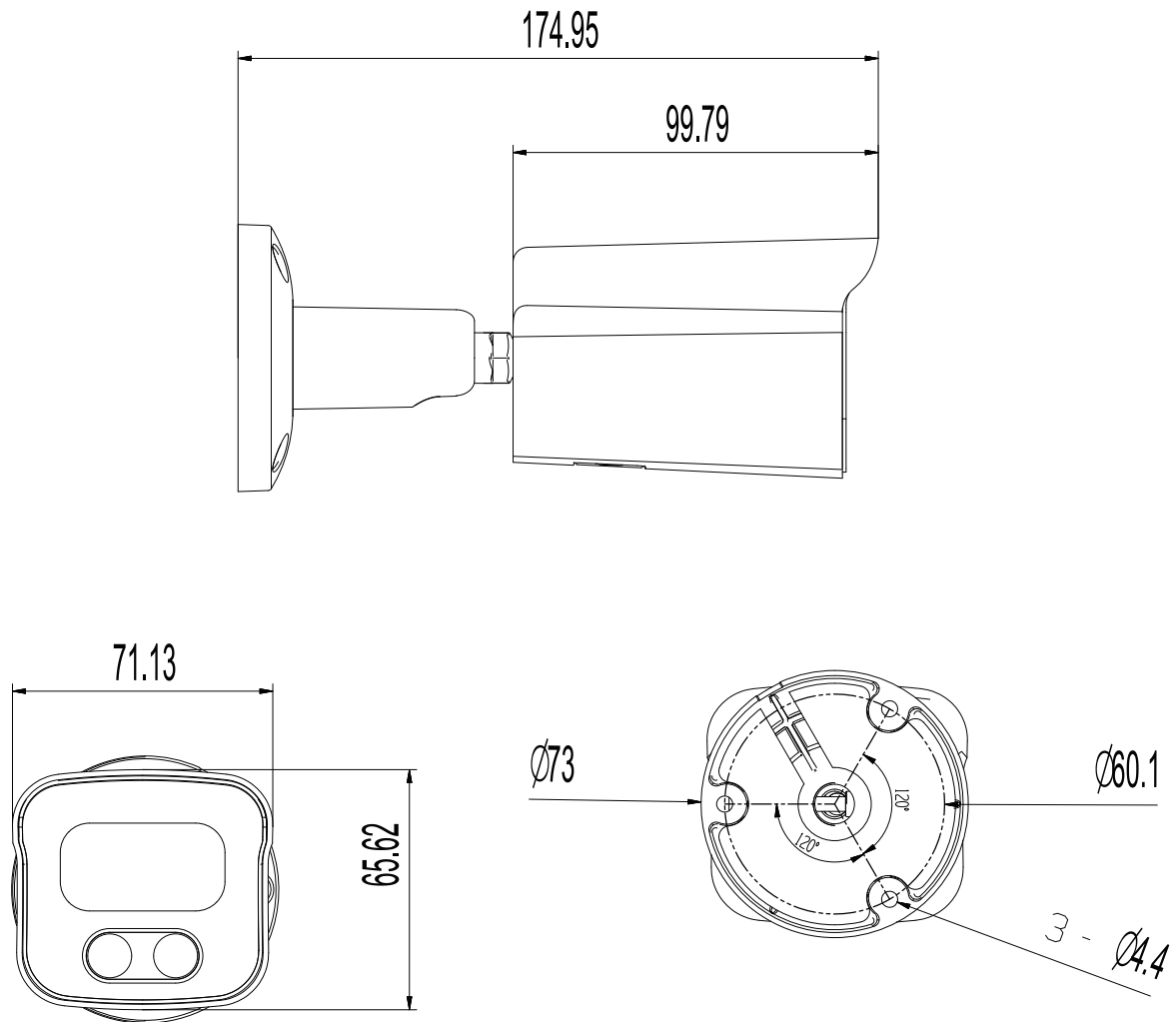
Interface

Audio	Default: Built in Mic, Option: Audio I/O
Alarm	Default: Alarm I/O
SD Card Slot	Default: External SD card slot (Max 512GB), Built in 4G Storage
RS485	N/A

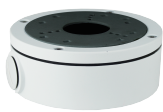
General

Housing	Metal, IP67
Anti-cut Bracket	NO
IR Cut Filter	YES
Operation Temperature	-30°C ~ +60°C RH95% Max
Storage Temperature	-30°C ~ +60°C RH95% Max
Power Source	DC12V±10%, 740mA
Dimension	71.13 x65.62x174.95 mm
Weight (N.W./G.W.)	Approx. 600 g / Approx. 700 g

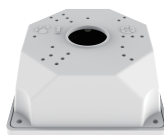
Dimensions (mm)



Optional Accessories



B320
Junction BOX



B116
Junction BOX



PB14146
Junction BOX